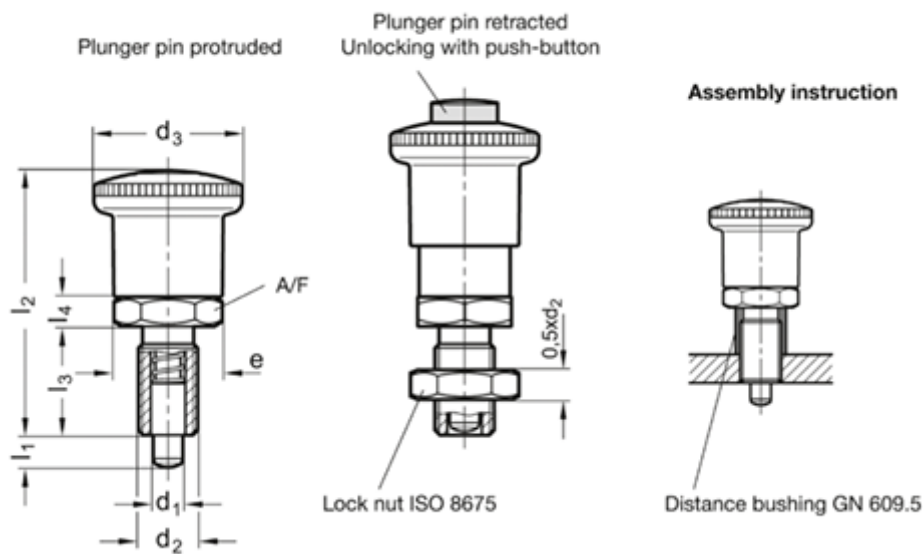


Article number: 20414166AK

Description: E+G Safety indexing plungers

GN 414.1-6-6-AK with safety mechanism, without rest position, with lock nut

Measures



A/F	= 19
d1 Pin -0.02/-0.04 Bore H7	= 6
d2	= M 12 x 1.5
d3	= 30
e	= 21.9
l3	= 22
l4	= 6
l1 min.	= 6

l2 ?	= 53.5
Weight in (g)	= 56